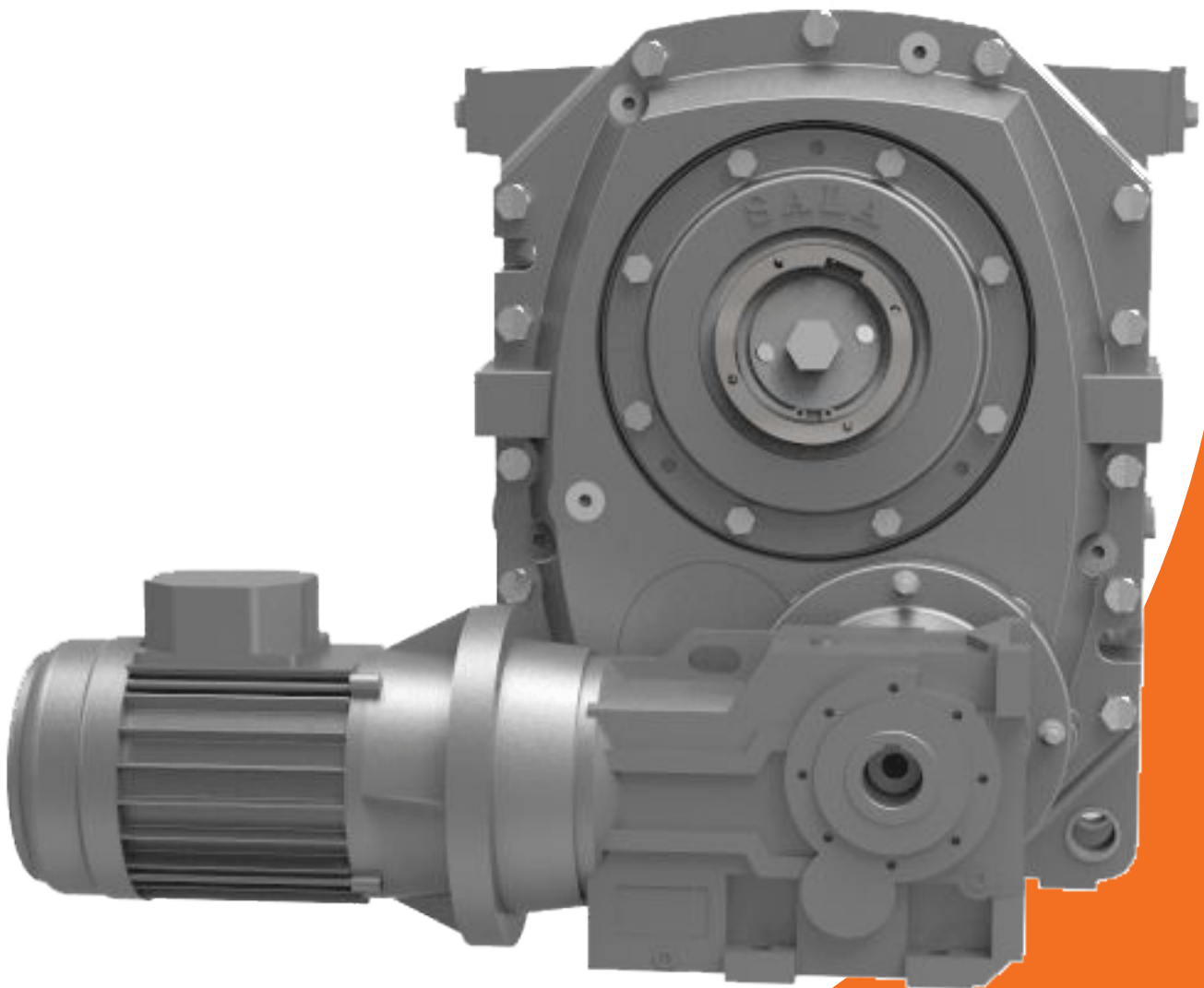


benzlers

with you at every turn

Benzlers Sala Series J Helical Shaft Mount Reducer



Series J

PRODUCT INFORMATION

Customised solutions are now available as standard option

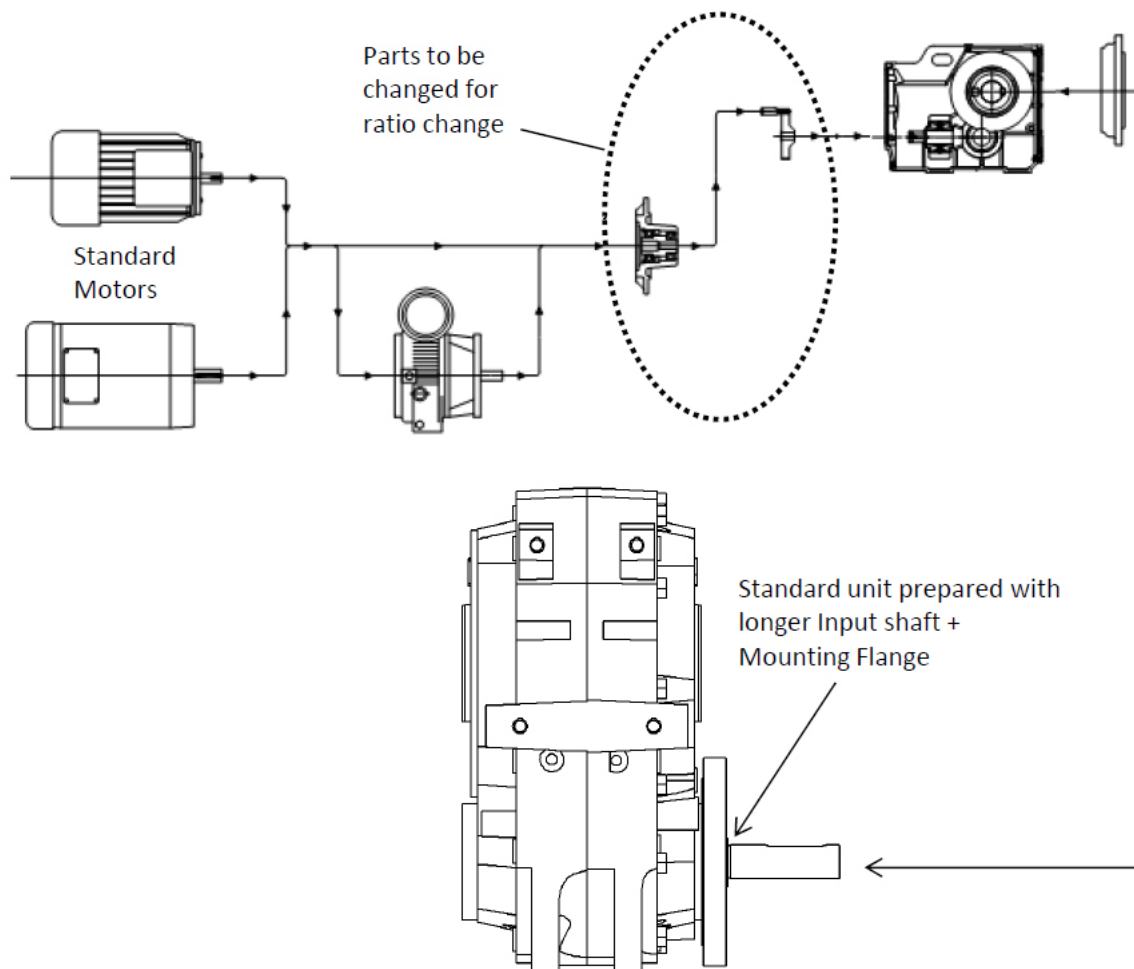
Series J Helical shaft mount unit coupled with Series K Bevel-Helical unit get much high ratio for low output speed 0,5rpm

Features

Accepts standard IEC motors,
Dimensionally interchangeable with other manufactures,
High ratio combinations in double reductions,
Motors fitted without modification,
Oil tight gear head,
Wide range of ratios,
Servo motor adapters on request,
NEMA motor adapters on request.

Benefits

Saves cost and efficiency,
Comprehensive range of speeds available by changing only primary kit/motor adapter,
Reduces modification required when replacing existing gear unit resulting in cost and time save.

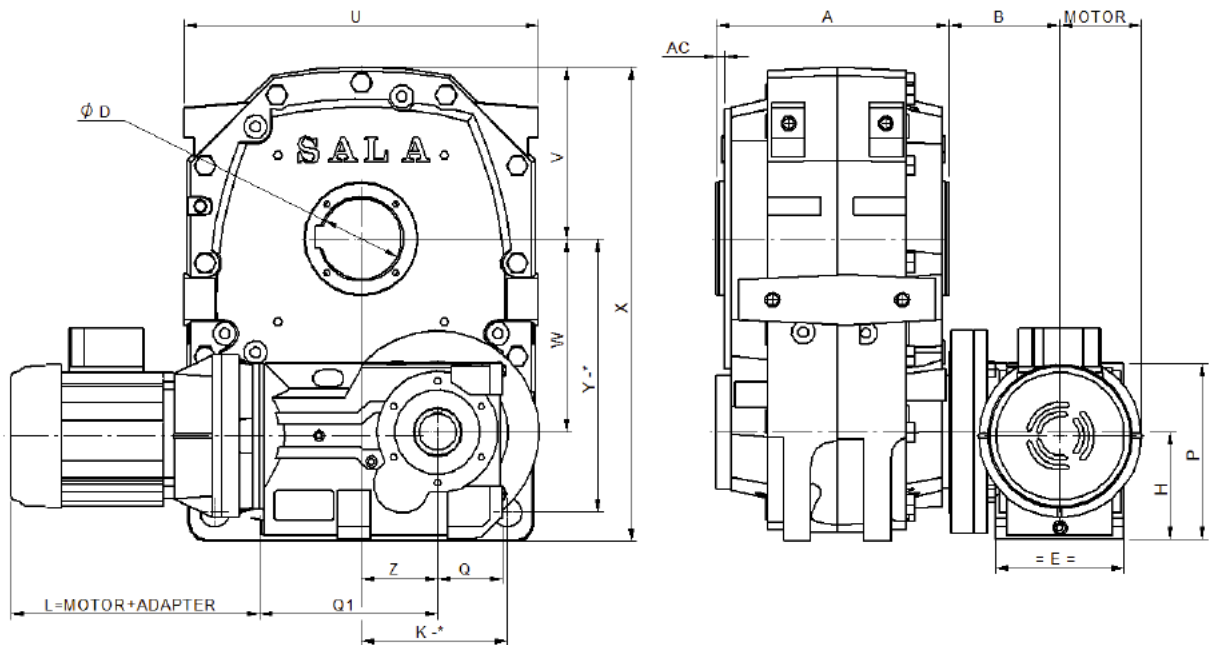


Multi-use kits: Utilising common components between types & Ratios. Full range of features available for all the mounting requirements from series J and series K.

PRODUCT INFORMATION

Max Torque and Final output Speed

UNIT	Speed (RPM)			
	3	2	1	0.5
	Torque (Nm)			
J52/K0332	2900	3300	4000	-
J72/K0432	5000	5500	6000	-
J100/K0532	10000	11000	12000	13000
J110/K0632	14157	15573	16988	16988
J125/K0732	20270	22297	24324	26351
J140/K0732	30700	33770	36840	39910
J160/K0832	45504	50054	54605	59155



- * TORQUE ARM LOCATION

DIMENSION DATA

UNIT	A	AC	B	D	E	H	K	P	Q	Q1	U	V	W	X	Y	Z	Wt kg
J52/K0332	189	13	107	60	120	108	138	167	63	159	320	160	166	443	251	63	90
J72/K0432	203	16	138	85	145	112	166	187	71	179	388	200	193	508	280	75.5	145
J100/K0532	286	10	137	100	157	132	180	217	80	219	436	211	238	584	337	94	310
J110/K0632	330	13	174	110	170	140	197	233	90	229	496	253	284	704	405	112	420
J125/K0732	375	14	179	125	200	180	214	288	112	265	534	261	319	768	461	126	535
J140/K0732	388	10	186	140	200	180	262	288	112	265	630	308	340	830	465	88	725
J160/K0832	428	14	214	160	230	212	297	341	132	330	712	331	390	933	527	87	960
J190/K0931	461	14	237	190	290	265	332	420	160	355	824	403	453	1103	623	136	1330

Benzlers believes in engineering quality relationships with our customers that strengthen what we can achieve together. Our business and the people within our business are committed to building long lasting partnerships that are as reliable as our products and as smooth as our service.

Benzlers and sister company Radicon are now part of Elecon Engineering, Asia's largest and fastest growing gear manufacturer. This partnership means that we can offer our customers an enhanced range of standard and bespoke engineering solutions including drop in replacements, all supplied with the product quality and engineering expertise demanded from and delivered by the Benzlers business.

Benzlers - with you at every turn



Benzlers

Denmark +45 36 34 03 00
Germany +49 800-350 4000
Finland +358 9 340 1716
Italy +39 02 824 3511
Sweden +46 42 186 800
The Netherlands +31 77 324 59 00
www.benzlers.com

Radicon

Thailand +66 3845 9044
United Kingdom +44 1484 465 800
USA +1 847 593 9910
www.radicon.com